



NAAC ACCREDITED

HATIDHURA COLLEGE

HATIDHURA

KNOWLEDGE | CHARACTER | EXCELLENCE

PROSPECTUS

2026-27

UNDERGRADUATE PROGRAMMES

POSTGRADUATE PROGRAMMES (KKHSOU)

RESEARCH



ACADEMIC
EXCELLENCE



HOLISTIC
DEVELOPMENT



GLOBAL
PERSPECTIVES



STRONG
VALUES





राष्ट्रीय मूल्यांकन एवं प्रत्यायन परिषद
विश्वविद्यालय अनुदान आयोग का स्वायत्त संस्थान
NATIONAL ASSESSMENT AND ACCREDITATION COUNCIL
An Autonomous Institution of the University Grants Commission

Certificate of Accreditation

*The Executive Committee of the
National Assessment and Accreditation Council
is pleased to declare*

*Hatidhura College, Hatidhura
Vill. Oxiguri, Srinagar, Dist. Dhubri, affiliated to Gauhati University,
Assam as
Accredited*

*with CSPA of 1.64 on four point scale
at C grade
valid up to July 07, 2028*

Date : July 08, 2023



[Signature]
Director

EC(SC)/159/1* Cycle/ASCOGN102317

HATIDHURA COLLEGE

P.O. - SRINAGAR :: DIST. - DHUBRI (ASSAM)

Website : hatidhuracollege.co.in

VISION & MISSION

Hatidhura College has a dynamic and empowering educational environment for young talents seeking on graduate degree in the Arts. This pioneering knowledge hub of Western part of Assam attracts students from all over the surrounding areas including students from West Bengal. Fostering and inculcating a vibrant exchange of ideas, the college seeks to ignite the minds of learners to facilitate their all-round development and help them.

This is a multi - facility premier institution with qualified academicians imparting education in diverse fields, the college has a reputation for outstanding performance in academics. Furthermore, constant efforts are being made to improve upon its infrastructure and facilities. Over the years, graduates students from Hatidhura College have performed well in life. Quite a few students have been readily admitted in renowned universities and have good jobs.

The college has come to be known for its emphasis on ideals and values of life, which are inculcated in its students. We at Hatidhura College aim to impart education by which character is developed and the mind achieves a broader perspective to enable our students to look upto wider horizons and become honest and responsible citizens of the country.

*"We want that education by which character is formed, strength of mind increased, the intellect is expanded, and by which one can stand on one's own feet. With such an education, women will solve their own problems"-
Swami Vivekananda.*

Prepared by - IQAC, Hatidhura College.

Published by - Hatidhura College, Dhubri (Assam)

Message from the Principal

Dear Students,

It gives me immense pleasure to welcome you to Hatidhura College, Hatidhura.

Since its inception in 1990, Hatidhura College has grown into a well-known and reputed institution in the western part of Assam, near the interstate border of Assam and West Bengal. With over 1,000 students enrolled, many from neighboring areas and districts, the college has established itself as a center of academic excellence.

Hatidhura College is known for imparting a unique blend of liberal education, combining strong foundational knowledge with a culture that embraces modernism, cosmopolitanism, and secular values. It has always been our tradition to ensure that students gain the best from the formal system of education while also being encouraged to excel in sports and extracurricular activities.

The primary aim of this institution is to nurture responsible and sensible citizens who understand the realities of life and practice them with integrity. We strive to promote a cooperative and holistic approach to life, supporting the harmonious development of students' physical, mental, and social capacities.

The college was recognized under Sections 2(f) and 12(b) of the UGC Act in 2010 and was provincialized as per the State Government Gazette notification in 2013. In 2023, Hatidhura College was accredited by NAAC with a Grade C.

I sincerely hope that the student community of this college will continue to aspire toward excellence in education, developing and sharpening their intellectual and human potential for the betterment of society, the nation, and the world.

Wishing You Great Success Ahead-

Dr. Rubul Barman
Principal i/c

ABOUT THE COLLEGE –

Hatidhura College is a premier and reputed institution situated in the western part of Assam, in the district of Dhubri. The college offers undergraduate (Bachelor's) degree programs and has consistently kept pace with academic advancement, striving for excellence in all fields through its competent and dedicated teaching and administrative staff, supported by a strong infrastructural base.

The college was established in the year 1990 by a host of leading citizens and some visionaries of Greater Gossaigaon Subdivision under then Kokrajhar district, due to whose tireless efforts, Hatidhura college was established.

The college is located in the Assam-Bengal Border area under Dhubri district in far western part of Assam. It is only 03 kms. away from Assam west Bengal Border and 42 kms. away from Indo-Bhutan Border. The college is 16 kms. away from NH-31 and approximately 50 kms. from Dhubri district H.Q. Mosty hailing form peasant families belonging to SC, ST(H) ST(P), OBC, MOBC, Tea Garden Tribes (Adibashi) and Minorities. The Students come to this college with a lot of expectation but little idea about their future course of life. The college undertakes the responsibility to guide them to bright future and there by plays a messianic role in the socio-economic development of the whole area. It aims to take part in the socio-economic development of the local area by providing good quality of higher education to its students. The college has already marched long steps of the development and excellence.

The college campus sprawled in more than 30 Bighas of land with beautiful environment. The environment created by the institute allows its students to follow their aims at their best. It has a huge a play-ground namely N.C. Roy Prodhani Play Ground Covering 14 Gighas of land for various sports activities like cricket, football, Volleyball etc. and an indoor games Building. The college is well maintained with sufficient infrastructural facilities staffed with competent and well Qualified teachers in the various departments.

ADOPTION OF FYUGP UNDER NEP 2020 BY GAUHATI UNIVERSITY

Gauhati University's Four-Year Undergraduate Programme (FYUGP) adheres to the UGC's Curriculum Framework. FYUGP's course structure is based on the CBCS (Choice-Based Credit System). The FYUGP is mostly based on the liberal arts education system.

Salient features :

- ◆ Duration: Under NEP's FYUGP, one has a 4-year degree programme.
- ◆ Exits and Entries: Under FYUGP, one has the choice to exit from the programme thrice – after one year, after two years, and after three years. If one exits the programme after one year, one gets a certificate. If one exits after two years, one gets a diploma. If one exits after three years, one gets a Bachelor's Degree. And finally, if a student completes the whole 4-year, one gets a Bachelor's Degree(Honours).
- ◆ Honours and Major : In FYUGP, a student gets a Bachelor's Degree with a major after 3 years and a Degree with Major & Honours after 4 years.
- ◆ Progression: If a student exits the FYUGP after 3 years, she/he will need to take admission in to the first year of a Master's programme, which is a 2-year degree programme. However, if a student fully completes an FYUGP, she/he needs to take admission into the second year of a Master's programme and needs to complete only one year to get a Master's degree.

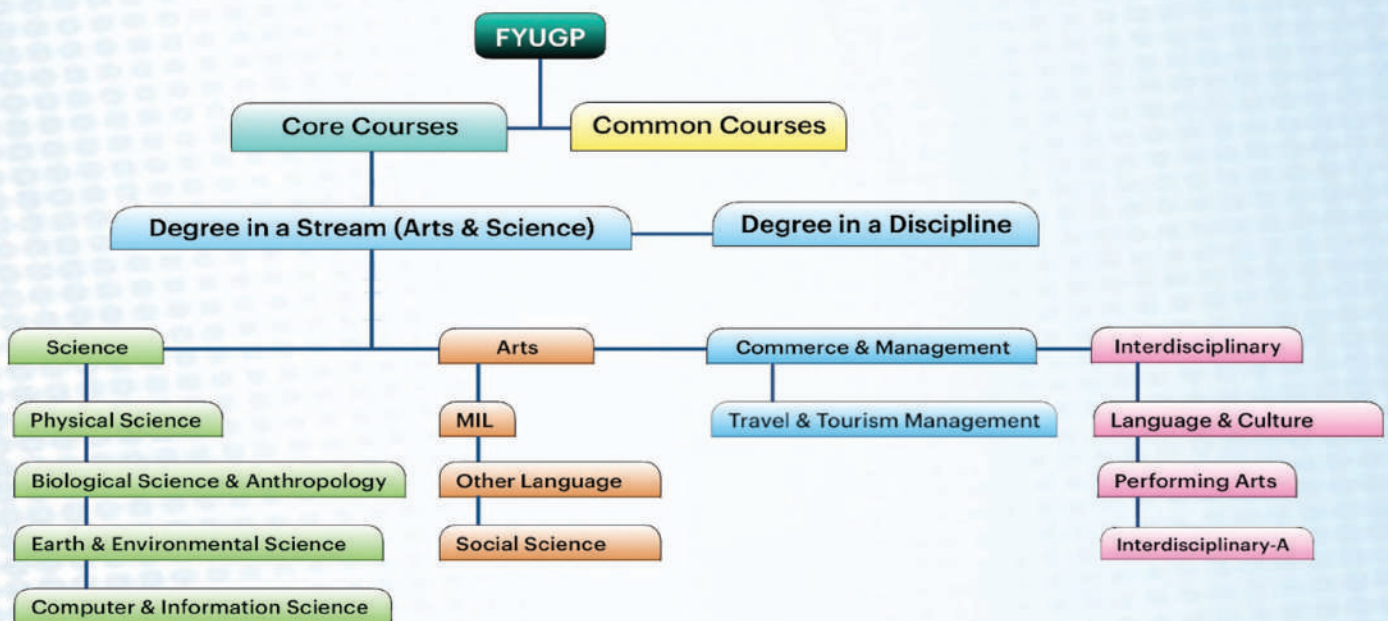
FYUGP has two parts :

- (a) Core Courses and
- (b) Common Courses

Different students study different core courses, and all students study the common courses.

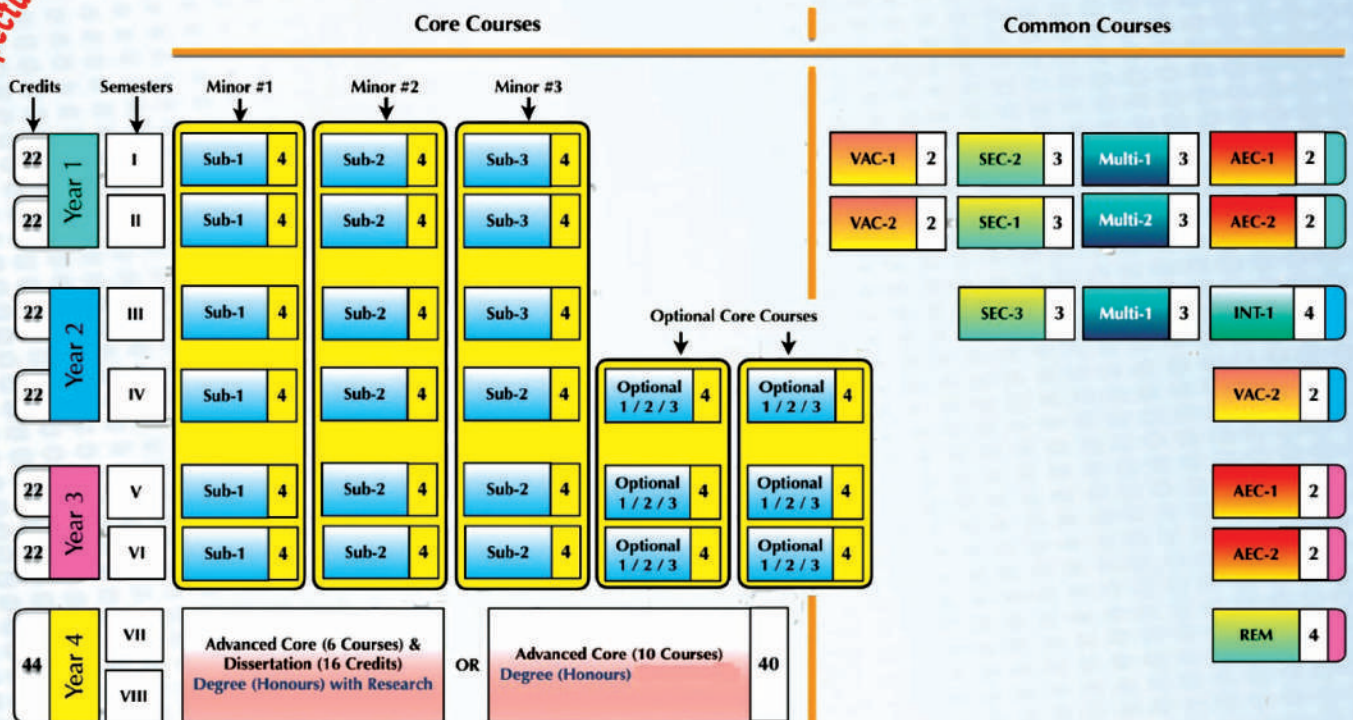
- a. **Core Courses:** These are discipline specific compulsory papers to be studied by the students. All the papers under this category will carry four credits each –a minimum requirement of 84 credits in totality and 21 courses (papers) in total. At least three core subjects need to be studied. Usually, for majority of the students, the Core Course will consist of one Major and two Minors.
- b. **Common Courses:** The common courses are to be studied by all students alike and all together they carry a total credit of 36 over a three-year period. The common courses are further divided into 5 sub categories:

1. **Multi-disciplinary Courses (MDC):** All UG students must take three introductory-level courses, relating to any of the broad disciplines. These three courses will carry 3-credits each from the eight sub-groups of courses from semester 1-3.
2. **Ability Enhancement Courses (AEC):** This is an 8-credit course covering Language / Alternative English and English Usage (Communication), each covering 4 credits. Both these courses are further divided into two 2 credit courses each. The English Communication course is to be completed during Semesters 2 & 6, and Language / Alternative English course is to be completed during Semesters 1 & 5.
3. **Skill Enhancement Courses (SEC):** These are various skill courses with total credit allocation of 9. All students need to complete three skill courses, each with 3 credits during Semesters 1–3.
4. **Value Added Courses (VAC):** These courses aim to enable the students to acquire and demonstrate certain values. All together, they will have a credit allocation of 6.
5. **Internship Courses (INT):** All students need to carry out internships with credit allocation of 4 in semesters 3-6.



Arts		
MIL	Other Language	Social Sciences
Assamese	Arabic	Economics ⁺
Sanskrit	English	Education
+ Dual-Stream subjects		History
		Philosophy
		Political Science
		Mathematics
Max 1	Max 1	Max 3

COURSE STRUCTURE OF FYUGP



Subject available in the college will offer Major and Minor course in the following disciplines -

Programme	Major/Honours	Minor
Arts	English, Assamese, Education, Pol.Sc., Philosophy, Sanskrit	English, Assamese, Education, History, Economics Pol.Science, Philosophy, Sanskrit, Arabic, Math

Admission Procedure –

- Registration and Admission in the degree programmes will take place through the online mode. Students seeking admission should register in the admission portal **assamadmission.samarth.ac.in**
- Registration for admission to the college must be done by filling out all the mandatory fields in the admission portal.
- Students will be selected strictly on the basis of Admission procedure is governed by the college admission rules and the decision taken by the Principal will be treated as the final for merit list. Please visit **hatidhuracollege.co.in**
- The candidate will have to produce the original copies of the documents at the time of admission. Admission into B.A. 1st Sem will be done as per the merit list prepared by admission committee of the college the admission sheduled will be notified in due time.
- The College follows the reservation policy as per Govt. of Assam norms.
- Request/pressure for admission from any quarters will not be entertained under any circumstances.
- Students who have passed the qualifying examination in the earlier year(s) will have to submit an authentic gap certificate issued by a competent authority.
- Students selected for admission must get themselves admitted within the stipulated date, failing which they will forfeit their seats.
- Admission to the College Girls' Hostels will be made on the basis of marit list.

Documents to be submitted during admission (Original documents have to be produced and varified at the time of admission) :-

1. HSLC Admit Card,
2. HSSLC Final Mark Sheet,
3. HSSLC Registration Certificate,
4. Ration Card / Income Certificate (by Revune Circle) for fee waiver.
5. Caste Certificate.
6. Three copies of passport size & Two Copies Stamp size photo

Reservation of Seats –

In the matter of admission reservation of seat (quota) will be followed as per the rules and regulations framed by the Govt. of Assam and Gauhati University.

The candidates of reserved categories shall have to produce valid certificates issued by the competent authority.

Admission fees and other dues –

The selected candidates will have to pay admission fees and other dues at the time of admission in cash at the College Office Counter. The rate of the fees as fixed by the College Authority against each class is shown in page no. 12 of this prospectus.

Self Financing Courses:

1. Krishna Kanta Handiqui State Open University (KKHSOU)

The college has a study centre of Krishna Kanta Handiqui State Open University (KKHSOU) for the students who could not completely their graduation but desir ous of pursuing higher studies.

The aim of this centre is to impart education to those who could not pursue education for various reasons but have the potential to fulfill their hidden desire of acquiring higher education can take advantage of this programmes/ courses. You may get every details from the Principal and Co-ordinator.

Facilities to Students -

1. Library:-

The college library is well equipped with nearby 12,750 books (Text and Reference Books). It has come forward with a Book Bank facility for poor meritorious students. Besides the library has a reading room for the students.



2.Scholarship:-

The following scholarships are offered to students studying in the college.

- a) State merit Scholarship.
- b) National merit Scholarship
- c) Scholarship for students belonging to backward communities and minorities communities.
- d) Ishan Udday Scholarship from UGC.
- e) Extra and co-curricular activities: Necessary facilities for NSS Volunteer and facilities for games and sports such as Food Ball, Volly Ball, Cricket, Badminton etc. are provided in the college. The student are also offered facilities for participation in local, regional and national events. The college is well equipped with a magnificent indoor sports complex and gymnasium facilities in the college campus.
- f) The college has a Grievances and Redress cell to address the grievances of students and staff.
- g) Education excursion : The students of the college are generally encouraged to participate in educational excursion. Besides an environmental excursion is compulsory for all degree 4th semester students.
- h) Students Aid Fund : There is a student Aid Fund in the college to provide financial assistance to students comming from economically weaker section of the society.
- i) The college has well protected secured campus with CC TV surveilance.
- j) The college has a well equipped solar plant provides 24x7 electricity.
- k) The college provides cool drinking water to the students.

Rules and Regulations:-

1. Students must abide by the rules and regulations of the college. Any violation of the rules will invite disciplinary action against them.
2. No student will be admitted to any course of studies if he/she is found to have indulged in activities detrimental to academic interest.
3. Any student found to have indulged in consumption of Drugs, Smoking and intoxicating drinks or any form of immoral and illegal activities shall invite stringent disciplinary action.



4. Students must attend at least 75% of classes held during a session. Students class attendance will be calculated every month. Students attending less than 75% of classes shall not be allowed to appear in the GU Examination as per guidelines of Guwahati University. Students remaining absence for consecutive 15 days in Major classes will forfeit their seat in Major course.

5. Students showing discourtesy to the teachers and employees in any form, adopting unfair means in examination, loitering in the college campus and using mobile phone in class room and in the examination hall, damaging college property shall be liable for disciplinary action.

6. Students are expected to use college property with utmost care and help to keep the college campus neat and tidy.

7. Wearing the college uniform is mandatory during college hours on all working days.

8. Ragging is strictly prohibited and any one found guilty of ragging and or abetting ragging, whether directly or indirectly or being a part of a conspiracy to promote ragging is liable to be punished in accordance with the UGC regulations.

College Uniform:-

College Uniform is compulsory for all students within the college campus. The students must attend classes in college uniform. The college uniform shall be of the following nature -

a. Boys : Shirt (Cream colour)
Pant (Dark grey colour)
Tie (Dark grey colour)

b. Girls: Salowar (Dark grey colour)
Kameez (Cream colour)
Dupatta (Dark grey colour)

N.B. : It is compulsory for the girls student belonging to Rajbanshi community to put on their traditional dress of **Green Patani** and **Red Blouse**.



Committee / Cell:-

1. Governing Body

1. Gautam Ch. Roy	President
2. Dr. Rubul Barman	Principal/Secretary
3. Samsuzzaman Sardar	G.U. Nominee
4. Dr. Leena Sarma	G.U. Nominee
5. Aswini Roy Sarkar, M.L.A	Special invitee
6. Kokan Ch. Roy	Guardian Member
7. Birenthius Soren	Guardian Member
8. Aleya Bibi	Guardian Member
9. Dr. Abdul Mannan Sheikh	T.R.
10. Dr. Jayanta Kr. Roy	T.R.
11. Sumita Roy	N.T.R

2. Internal Quality Assurance Cell (IQAC)

AS per the guidelines of the UGC, Hatidhura College has set up its Internal Quality Assurance Cell with a view to -

- Evolve comprehensive quality enhancement programmes to improve the academic and administrative performance of the institution.
- Prepare annual self study report and action plan.

1. Chairperson :	Dr. Rubul Barman (Principal i/c)
2. Coordinator :	Dr. Shahalom Islam, Asstt. Prof.
3. Member :	Kokan Chandra Roy, Asstt. Prof.
4. Member :	Dr. Abdul Mannan Sheikh, Asstt. Prof.
5. Member :	Ashad Ali Shiraji, Asstt. Prof.
6. Member :	Dr. Jayanta Kumar Roy, Asstt. Prof.
7. Member :	Dr. Subhagya Das, Asstt. Prof.
8. Member :	Sujit Kumar Bhakat, From Office Employee
9. Member :	Birenthius Soren, From Management



3. Admission Committee

The college has an admission committee to devise policies and criteria to facilitate free and fair selection of eligible students for admission into various classes for the academic session 2026-2027. The committee comprises of following members:-

- | | |
|----------------|---------------------------------------|
| 1. President : | Dr. Rubul Barman, Principal i/c |
| 2. Member : | Kokan Chandra Roy, Asstt. Prof. |
| 3. Member : | Dr. Abdul Mannan Sheikh, Asstt. Prof. |
| 4. Member : | Jamir Uddin Ahmed, Asstt. Prof. |
| 5. Member : | Ahidur Rahman Prodhani, Asstt. Prof. |
| 6. Member : | Dr. Jayanta Kumar Roy, Asstt. Prof. |
| 7. Member : | Ashad Ali Shiraji, Asstt. Prof. |
| 8. Member : | Dr. Shahalom Islam, Asstt. Prof. |
| 9. Member : | Dr. Anamika Das, Asstt. Prof. |
| 10. Member : | Sujit Kumar Bhakat, Sr. Asstt. |

4. Examination Committee:-

The Examination Committee of the college has been formed to take care of all examination related matters for the academic session 2026-27. The members of the committee are-

- | | |
|----------------|---------------------------------------|
| 1. President : | Dr. Rubul Barman, Principal i/c |
| 2. Member : | Kokan Chandra Roy, Asstt. Prof. |
| 3. Member : | Dr. Abdul Mannan Sheikh, Asstt. Prof. |
| 4. Member : | Dr. Jayanta Kumar Roy, Asstt. Prof. |
| 5. Member : | Ashad Ali Shiraji, Asstt. Prof. |
| 6. Member : | Babar Ali Ahmed, Asstt. Prof. |
| 7. Member : | Dr. Shahinoor Khatun, Asstt. Prof. |
| 8. Member : | Niva Rani Das, Asstt. Prof. |
| 9. Member : | Dr. Shahalom Islam, Asstt. Prof. |
| 10. Member : | Mir Ilias Ahmed, UDA |



List of Teaching Staff of Hatidhura College

PRINCIPAL

Dr. Rubul Barman, M.A., Ph.D

1) Department of English

1. Dr. Abdul Mannan Sheikh, M.A., Ph.D
2. Dr. Golap Chand Chouhan, M.A., Ph.D

2) Department of Political Science

1. Babar Ali Ahmed, M.A.
2. Dr. Ayub Khan, M.A., Ph.D.
3. Dr. Jayanta Kr. Roy, M.A., Ph.D.

3) Department of Philosophy

1. Kokan Chandra Roy, M.A.
2. Dr. Yusuf Ali Sheikh., M.A., Ph.D.
3. Chayanika Roy, M.A., SET

4) Department of Economics

1. Ahidur Rahman Prodhani, M.A.
2. Salimuddin Sarkar, M.A.

5) Department of Arabic

1. Ashad Ali Shiraji, M.A., B.Ed.
2. Dr. Shahalom Islam, M.A., Ph.D.
3. Dr. Shahinoor Khatun, M.A. Ph.D.

6) Department of Assamese

1. Bijay Kr. Barman, M.A., NET
2. Niva Rani Das, M.A., NET

7) Department of Education

1. Jamir Uddin Ahmed, M.A., SET, NET
2. Dr. Subhagya Das, M.A., M.Phil., NET, Ph.D.
3. Johurul Islam, M.A.

8) Department of History

1. Dr. Sultan Khan, M.A., Ph.D.
2. B. B. Roy Sarkar, M.A., B.Ed., M.Phil.
3. Dr. Aminur Rahman, M.A., M.Phil., Ph.D.

9) Department of Mathematics

1. Dr. Aminul Islam, M.Sc., Ph.D.
2. Dr. Jyoti Prosad Roy, M.Sc., Ph.D.

10) Department of Sanskrit

1. Dr. Rubul Barman, M.A., Ph.D.
2. Dr. Anamika Das, M.A., M.Phil., Ph.D.
3. Dr. Krishna Pada Seal, M.A., Ph.D.

List of Non-Teaching Staff of Hatidhura College

Library Staff –

1. Amal Bhakat (Asstt. Lib.)
2. Adhar Ch. Roy (Lib. Bearer)

Office Staff –

1. Sujit Kr. Bhakat (Sr. Asstt.)
2. Mir Ilias Ahmed (Sr. Asstt.)
3. Sumita Roy (Jr. Asstt.)
4. Jakir Hussain (Gr.-IV)
5. Harish Ch. Roy Sarkar (Gr.-IV)
6. Dhan Kr. Roy (Gr.-IV Night Gard)
7. Dipak Basfor (Gr.-IV)



Non-Teaching Staff.



DETAILS OF FEE STRUCTURE FOR THE ACADEMIC YEAR 2026-2027

N.B. : FEES FOR ADMISSION

Students seeking admission in various courses in the college will have to pay fees as per of the Govt. of Assam notifications and it will be notified as and when received from Government. In addition to the admission fee fixed by the Govt., the students will have to pay an extra amount for the self financed courses.

GIRLS' HOSTEL FACILITY :

The College provides exquisite facility of Girls' Hostel. There are two Hostels for girls.



Principal with Teaching staff



Heritage site visit from College Students



Cultural Programme & Prize Distribution Ceremony of College Week



Inauguration of New Girls Hostel



Internship Programme



Tribute to Legendary voice of Assam "ZUBEEN GARG"



Celebrating International Womens Day at adopted village



3 Days Workshop on Bihu Nritya & Beshma



3 Days Workshop on Bihu Nritya & Bisuwa



Designed By- Moon :: Printed at - Rumana Printing & Publication, Dhubri